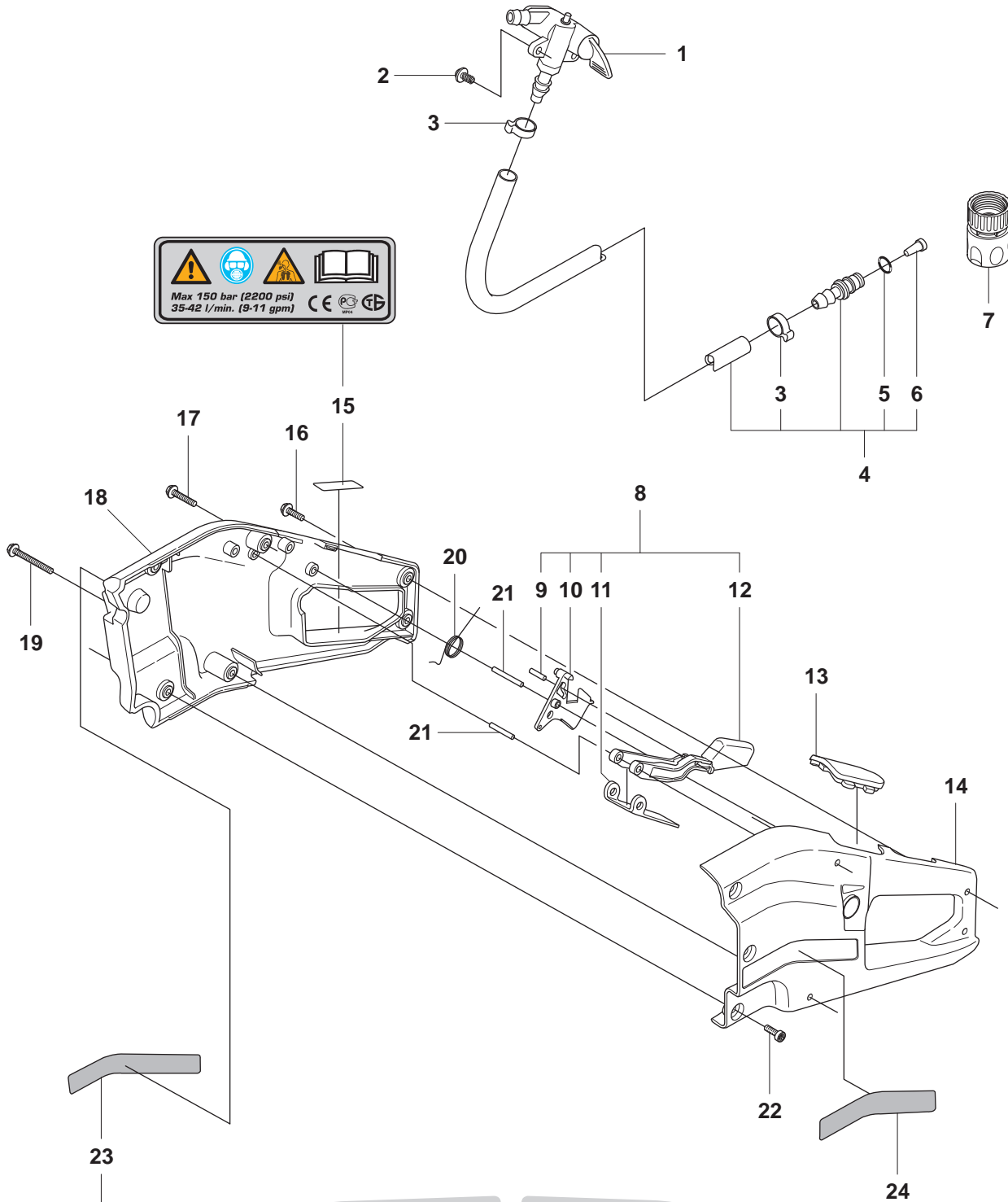


A

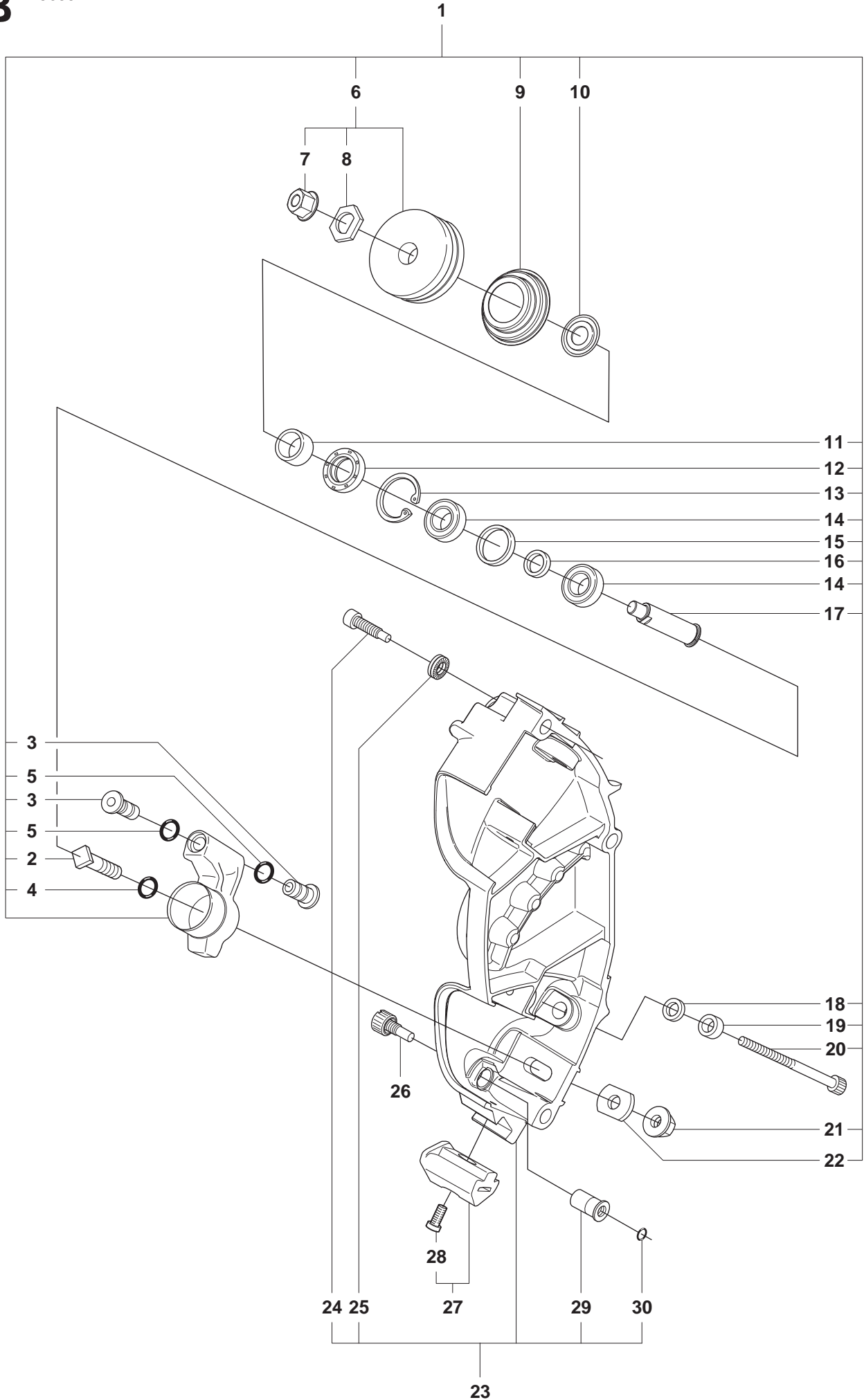
K3600MkII



Page A
K3600 MkII

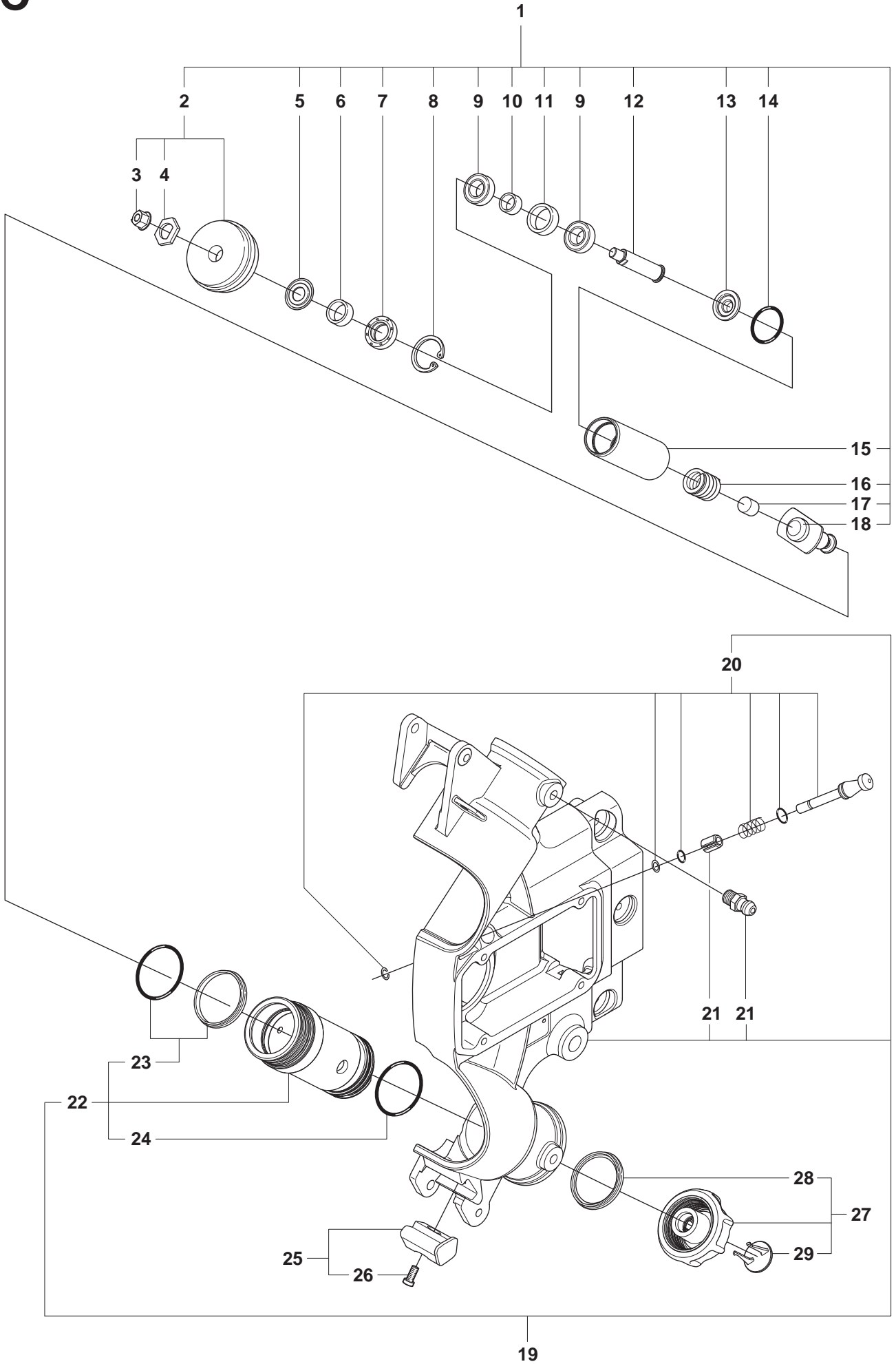
Pos.	Part No.	Description	Quantity	Notes	New Part
1	506 34 94-02	TAP	1		
2	503 21 46-01	SCREW	2		
3	506 49 87-02	HOSE CLAMP	2		New Part
4	506 29 31-04	WATER HOSE KIT	1	Incl. 5 - 7	New Part
5	505 10 35-01	O-RING	1		New Part
6	506 29 88-01	FILTER	1		
7	503 26 60-03	COUPLER	1	USA	
7	503 26 60-04	COUPLER	1		
8	506 37 76-02	THROTTLE TRIGGER	1	Incl. 9 - 12	
9	720 12 71-52	PIN	1		
10	506 20 34-03	THROTTLE TRIGGER	1		
11	506 31 63-01	PLATE	1		
12	506 27 21-02	THROTTLE LOCKOUT	1		
13	506 35 54-03	WINDOW	1		
14	506 24 52-03	HANDLE HALF LEFT	1		
15	544 87 32-01	LABEL WARNING	1		
16	503 21 53-16	SCREW	4		New Part
17	503 21 53-26	SCREW	1		New Part
18	506 24 53-03	HANDLE HALF RIGHT	1		
19	503 21 53-41	SCREW	1		New Part
20	506 26 26-01	TORSION SPRING	1		
21	720 13 16-06	PIN	2		
22	503 21 53-12	SCREW	3		New Part
23	544 87 29-01	LABEL	1		
24	544 87 30-01	LABEL	1		

B K3600MkII



Page B
K3600 MkII

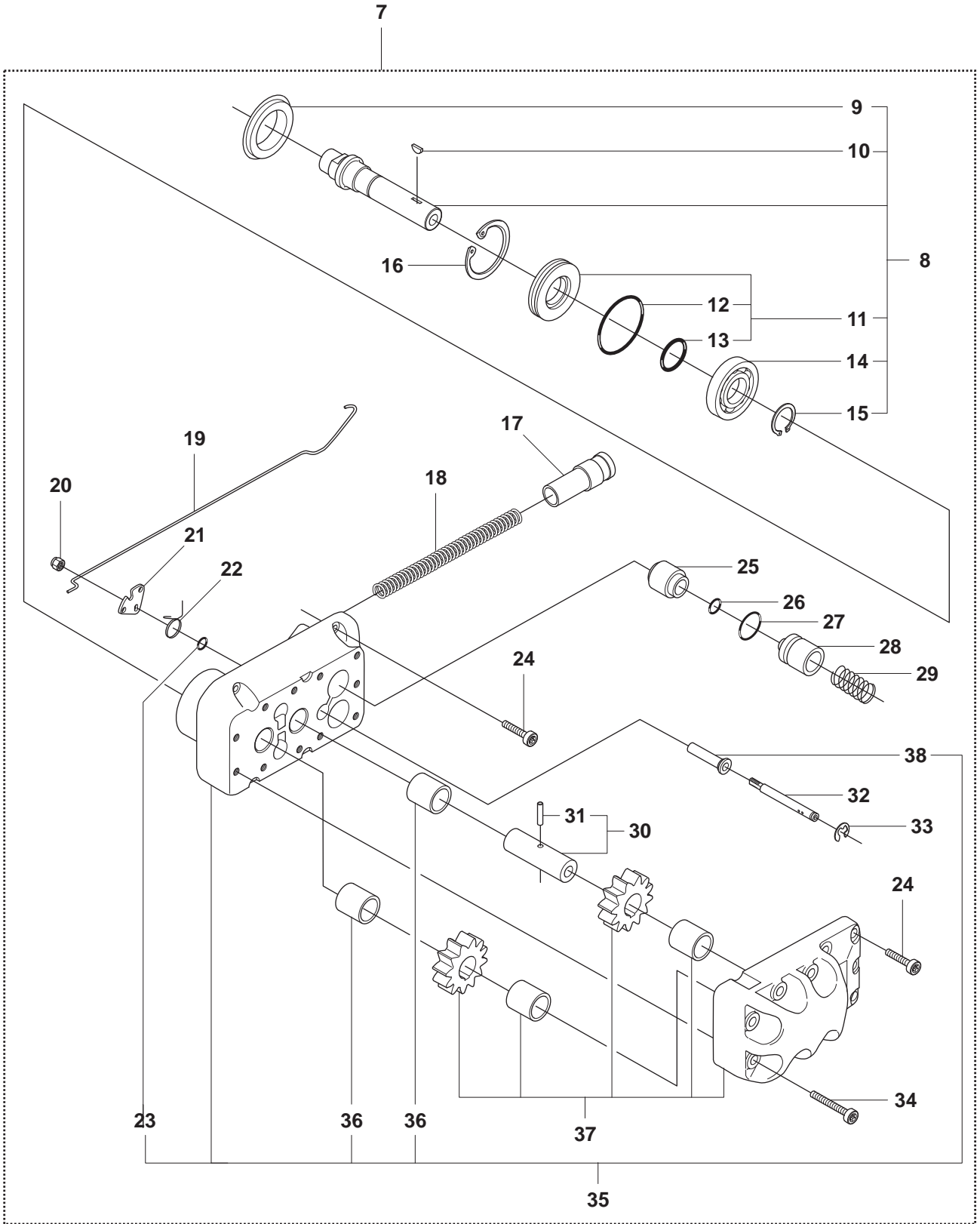
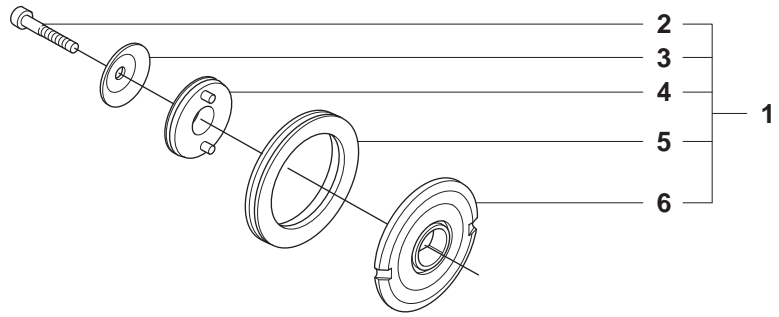
Pos.	Part No.	Description	Quantity	Notes	New Part
1	506 35 18-07	LEVER ASSY	2	Incl. 2 - 6, 9 - 22	New Part
2	506 34 64-01	SCREW	1		
3	506 33 49-03	SPACER TUBE	2		
4	503 26 30-08	O-RING	1		
5	503 26 30-26	O-RING	2		
6	506 35 21-03	SUPPORT ROLLER	1	Incl. 7, 8	New Part
7	503 22 04-01	NUT	1		New Part
8	506 30 34-01	DRIVER	1		
9	506 39 95-01	SEALING	1		
10	506 32 17-01	WASHER	1		
11	506 37 93-02	SPACING SLEEVE	1		
12	503 26 20-01	SEALING RING	1		
13	735 31 28-10	CIRCLIP	1		
14	503 25 24-01	BALL BEARING	2		
15	506 31 68-02	SPACING SLEEVE	1		
16	506 30 33-02	SPACING SLEEVE	1		
17	506 49 32-02	SHAFT	1		New Part
18	506 37 63-01	SPACER	1		
19	506 37 64-01	RUBBER BUSHING	1		
20	544 21 84-55	SCREW	1		New Part
21	503 22 00-01	NUT FLANGE	1		
22	506 34 63-01	WASHER	1		
23	521 91 50-02	COVER	1	Incl. 24 - 25, 29 - 30	New Part
24	503 20 54-35	SCREW	3		
25	503 23 04-03	WASHER	3		
26	505 57 49-01	ADJUSTING SCREW	2		
27	506 35 19-03	WEAR PROTECTION	1	Incl. 28	New Part
28	505 57 41-16	SCREW	1		New Part
29	506 33 08-01	THREAD BUSHING	2		
30	740 42 04-00	O-RING	2		



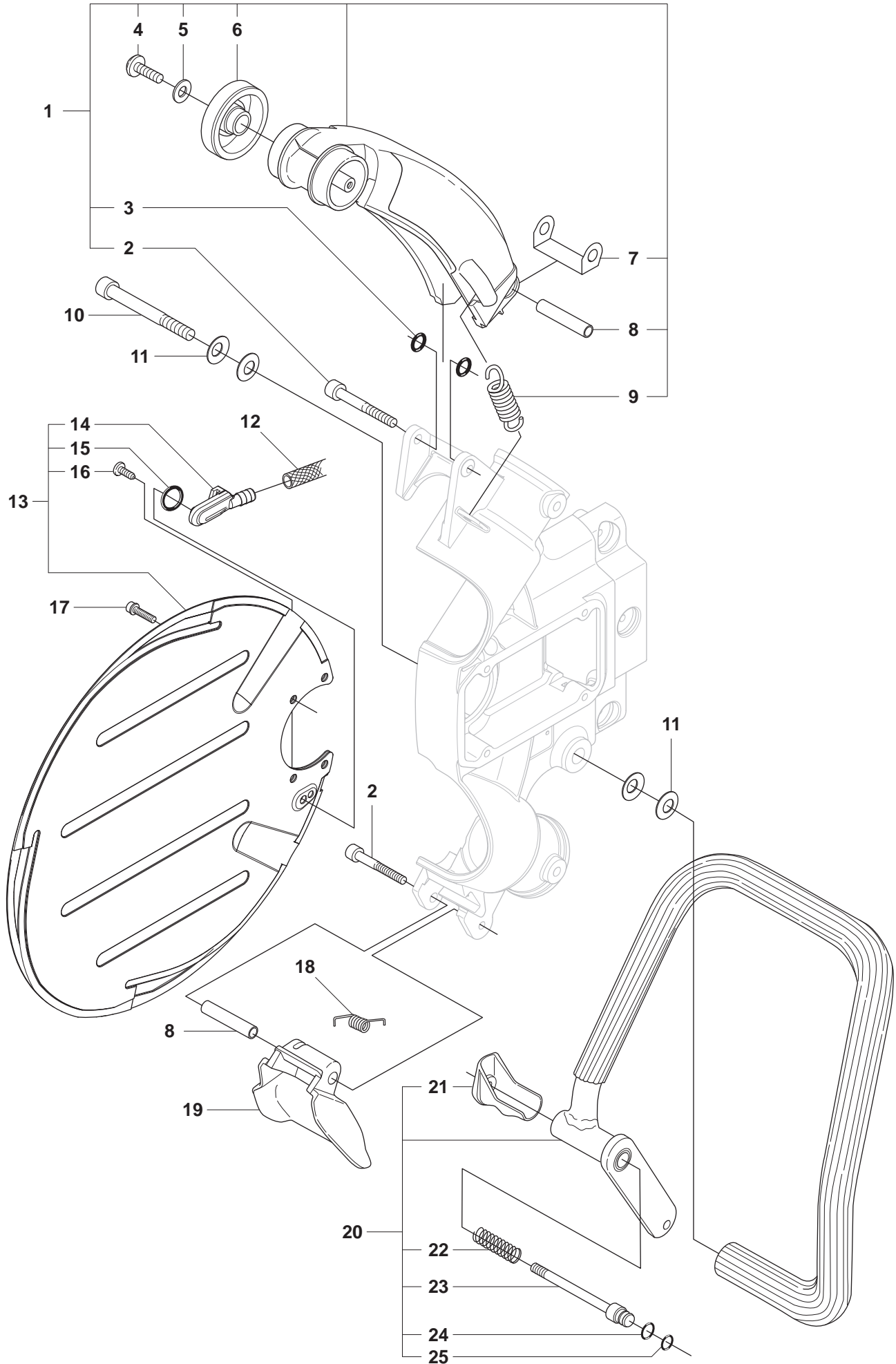
Page C
K3600 MkII

Pos.	Part No.	Description	Quantity	Notes	New Part
1	506 49 34-01	BEARING CAGE	1	Incl. 2, 5 - 18	New Part
1	506 49 34-02	BEARING CAGE	1	Incl. 2, 5 - 18. Double groove	New Part
2	506 35 20-05	GUIDE ROLLER	1	Incl. 3, 4	New Part
2	506 35 20-06	GUIDE ROLLER	1	Incl. 3, 4. Double groove	New Part
3	503 22 04-01	NUT	1		New Part
4	506 30 34-01	DRIVER	1		
5	506 31 69-01	DUST COVER	1		
6	506 37 93-02	SPACING SLEEVE	1		
7	503 26 20-01	SEALING RING	1		
8	735 31 28-10	CIRCLIP	1		
9	503 25 24-01	BALL BEARING	2		
10	506 30 33-01	SPACING SLEEVE	1		
11	506 31 68-01	SPACING SLEEVE	1		
12	506 49 32-01	SHAFT	1		New Part
13	506 38 11-01	CAP	1		
14	740 48 20-12	O-RING	1		
15	506 38 09-01	BEARING CAGE	1		
16	506 34 76-01	COMPRESSION SPRING	1		
17	506 30 35-01	BUMPER	1		
18	506 38 97-01	PIN	1		
19	506 36 83-06	CHASSIS	1	Incl. 20 - 22	
20	506 30 09-01	LOCKING BUTTON	1		
21	738 88 10-01	LUBRICATION NIPPLE	2		
22	544 07 76-01	SLEEVE	2	Incl. 23 - 24	
23	506 34 39-01	WIPER	2		
24	740 48 25-02	O-RING	2		
25	506 35 19-03	WEAR PROTECTION	1	Incl. 26	New Part
26	505 57 41-01	SCREW	1		New Part
27	506 38 22-02	KNOB	1	Incl. 28 - 29	
28	506 33 65-01	SEALING RING	1		
29	506 38 21-02	CAP	1		New Part

D K3600MkII

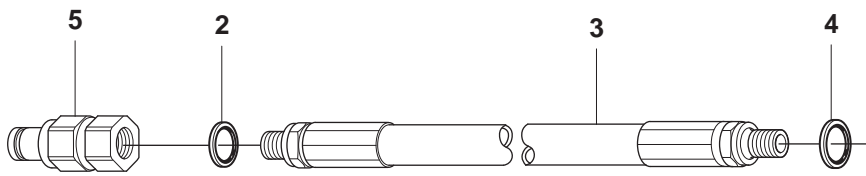
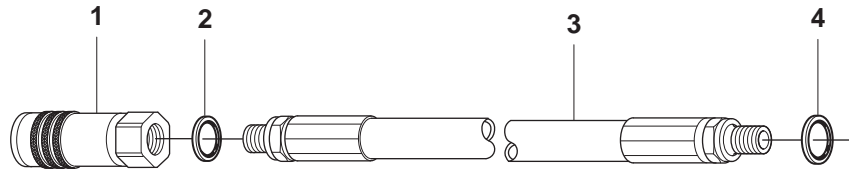


E K3600MkII



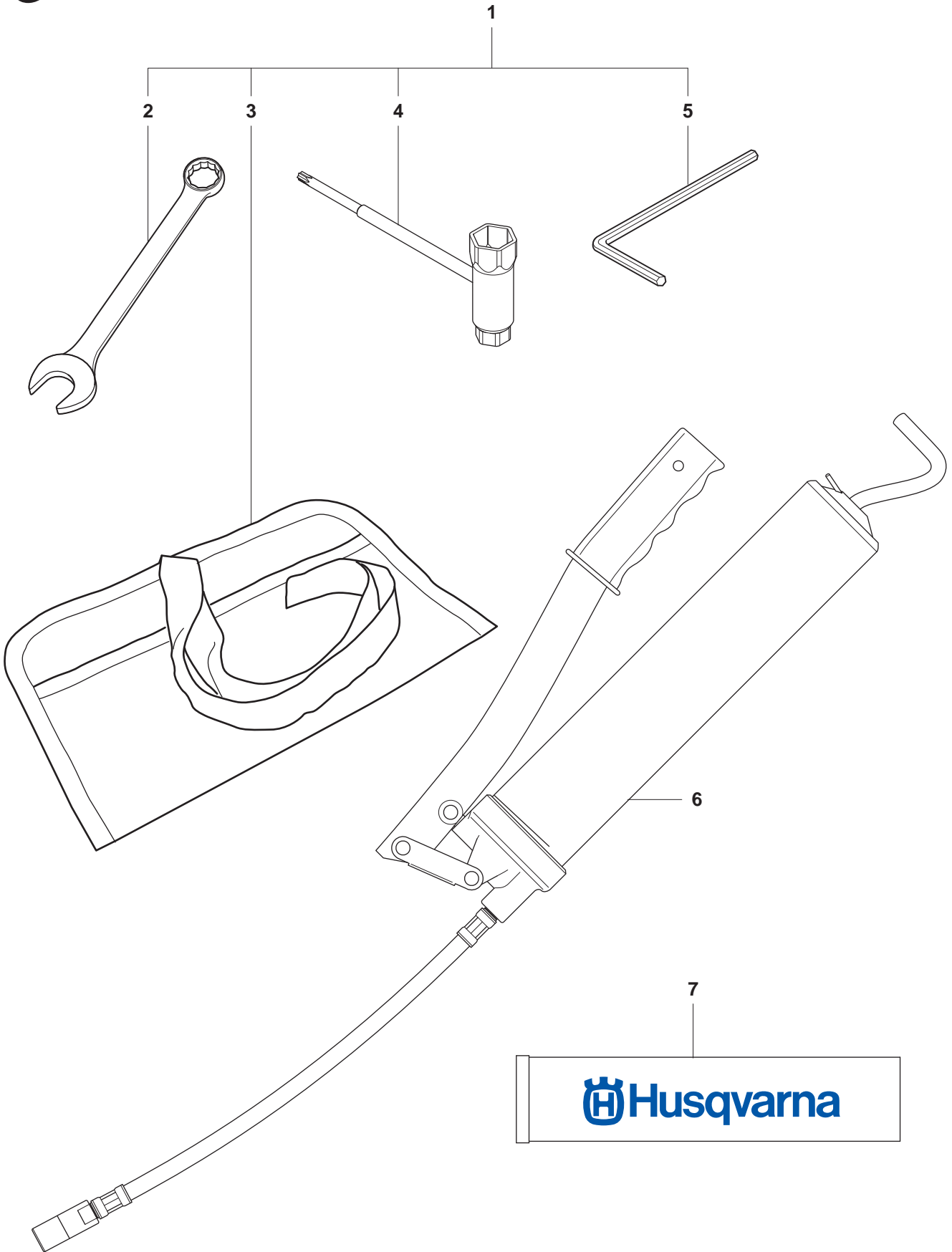
Page E
K3600 MkII

Pos.	Part No.	Description	Quantity	Notes	New Part
1	506 24 69-06	BLADE GUARD	1	Incl. 2 - 9	New Part
2	544 21 84-47	SCREW	2		New Part
3	503 26 30-25	O-RING	2		
4	503 21 46-01	SCREW	2		
5	734 48 80-01	WASHER	2		
6	506 26 22-02	WHEEL	2		
7	506 31 28-01	COVER PLATE	1		
8	506 31 45-01	SPACER TUBE	1		
9	504 11 67-01	SPRING	1		New Part
10	725 54 69-05	SCREW	1		
11	506 10 55-01	CUP SPRING	4		
12	501 98 65-01	HOSE	1		New Part
13	506 38 33-02	WATER BLADE	1	Incl. 14 - 16	
14	506 38 29-01	NIPPLE	1		
15	505 10 35-01	O-RING	1		New Part
16	729 52 89-71	SCREW	1		
17	505 57 41-16	SCREW	4		New Part
18	506 25 75-01	TORSION SPRING	1		
19	506 25 68-02	SPRAY GUARD	1		
20	506 35 72-04	HANDLE ASSY	1	Incl. 21 - 25	
21	506 35 73-02	GRIP	1		
22	506 24 95-01	SPRING	1		
23	544 13 74-01	PIN	1		
24	503 26 30-22	O-RING	1		
25	740 43 03-00	O-RING	1		



Page F
K3600 MkII

Pos.	Part No.	Description	Quantity	Notes	New Part
1	506 10 96-21	QUICK COUPLING	1	Female	
2	740 38 34-01	WASHER	2		
3	506 10 95-02	HYDRAULIC HOSE	2		
4	740 38 27-01	WASHER	2		
5	506 10 98-21	QUICK COUPLING	1	Male	New Part



Page G
K3600 MkII

Pos.	Part No.	Description	Quantity	Notes	New Part
1	506 36 38-04	TOOL KIT	1	Incl. 2 - 5	New Part
2	506 35 52-01	SPANNER	1	19mm	
3	501 19 22-01	TOOL CASING	1		
4	506 38 26-01	COMBINATION TOOL	1	13-19mm	New Part
5	506 36 36-01	ALLEN KEY	1	6mm	
6	506 38 49-02	LUBRICATION GUN	1		
7	544 08 04-02	GREASE TUBE	1		